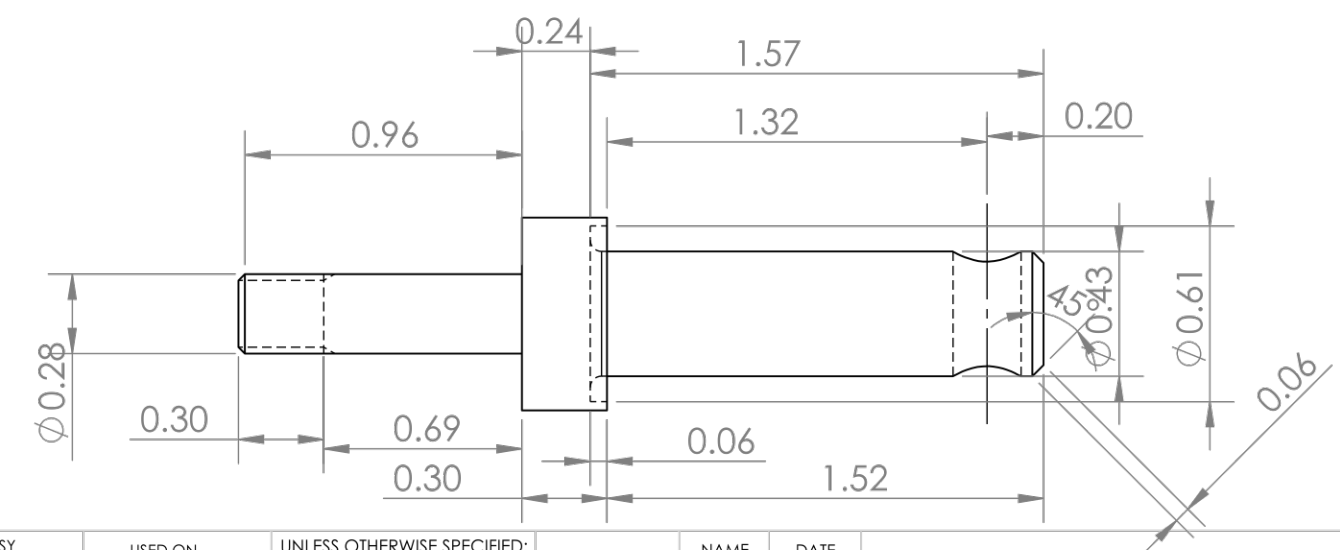
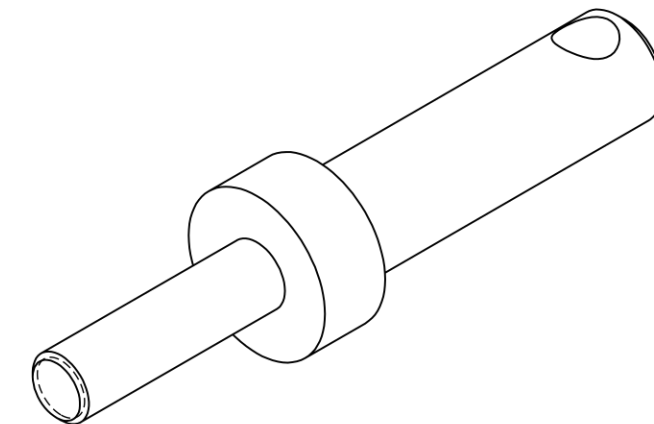


M7x1.0 Machine Threads Stud



PROPRIETARY AND CONFIDENTIAL  
This drawing is the property of Oklahoma State University and the corresponding Design Team.

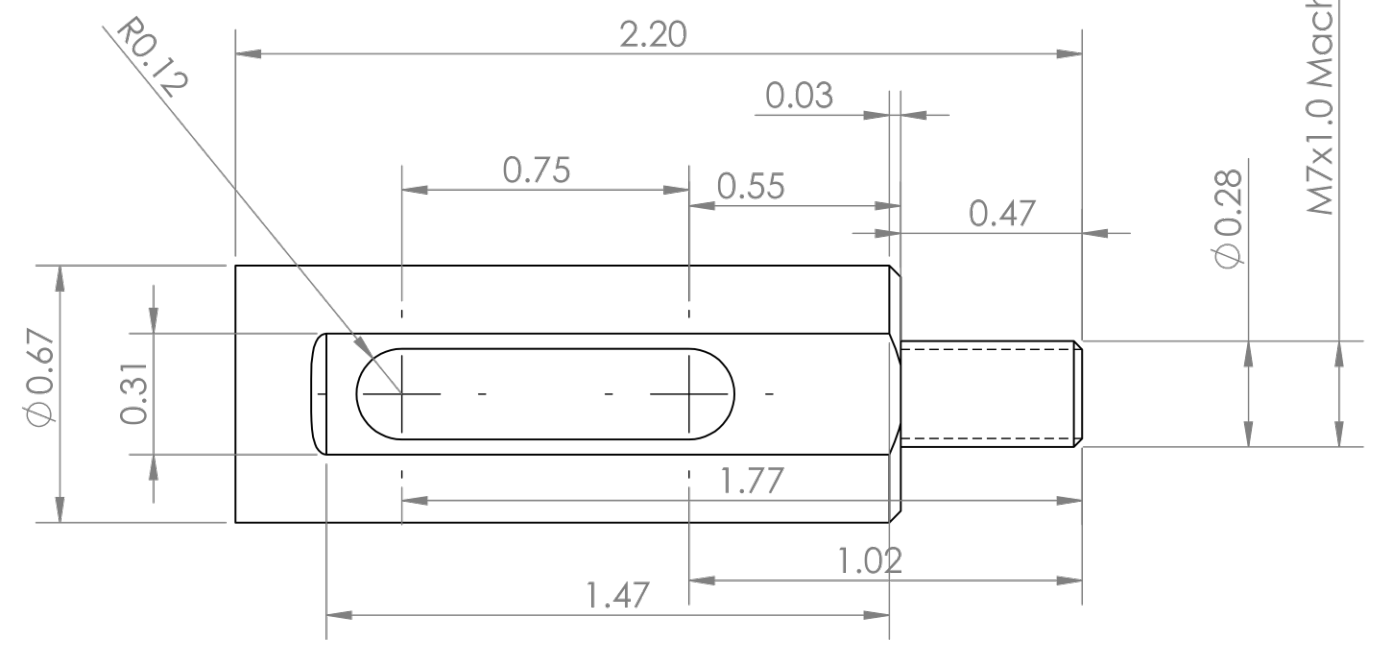
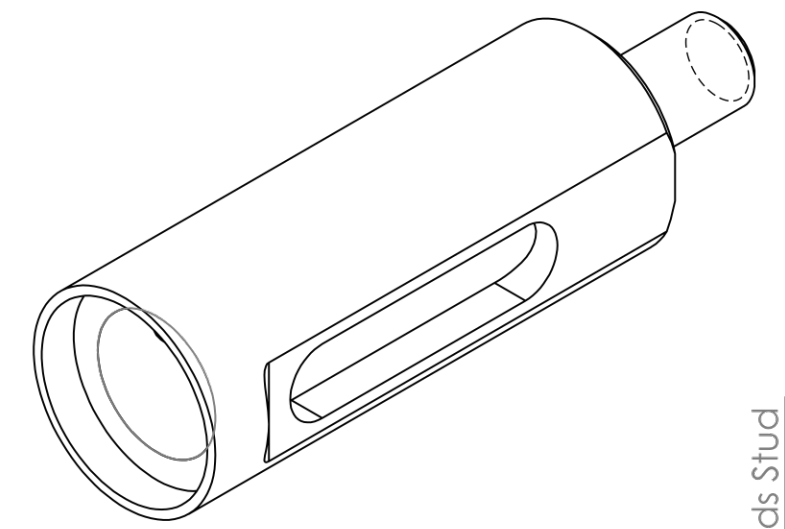
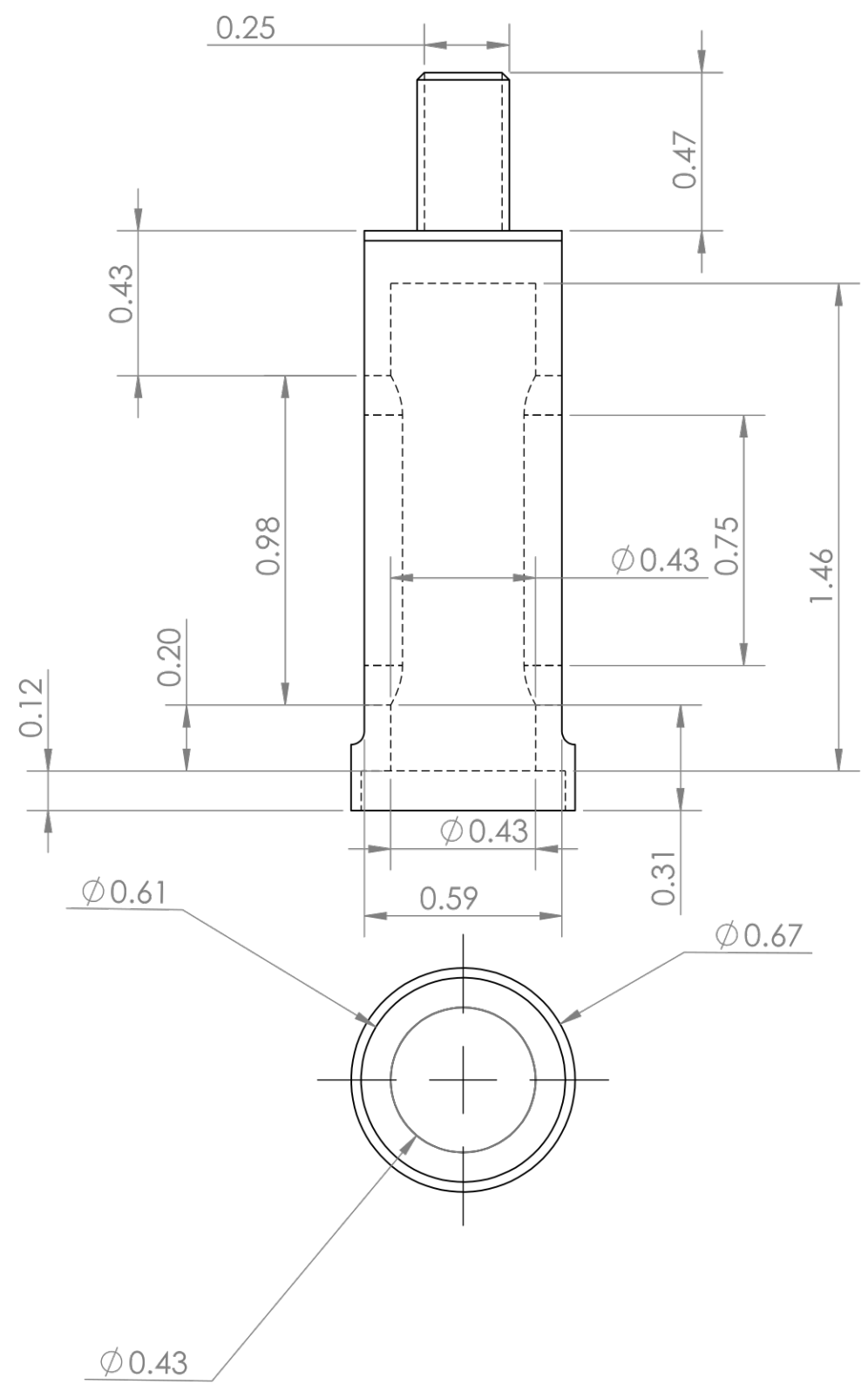
NEXT ASSY	USED ON	UNLESS OTHERWISE SPECIFIED:	NAME	DATE	TITLE: <b>Medium Spring Assembly: Stopper</b>  SIZE DWG. NO. REV <b>B M.S.A.-02 2</b> SCALE: 1:1 WEIGHT: SHEET 1 OF 1
	Medium Spring Assembly	DIMENSIONS ARE IN INCHES TOLERANCES: TWO PLACE DECIMAL ±0.01 THREE PLACE DECIMAL ±0.005	DRAWN	J.A.P. 04-20-25	
		INTERPRET GEOMETRIC TOLERANCING PER:	CHECKED		
		MATERIAL	ENG APPR.		
		FINISH	MFG APPR.		
APPLICATION	Medium Rotor Rig	DO NOT SCALE DRAWING	Q.A.		COMMENTS: This part will be machined

4

3

2

1



PROPRIETARY AND CONFIDENTIAL  
 This drawing is the property of Oklahoma State University and the corresponding Design Team.

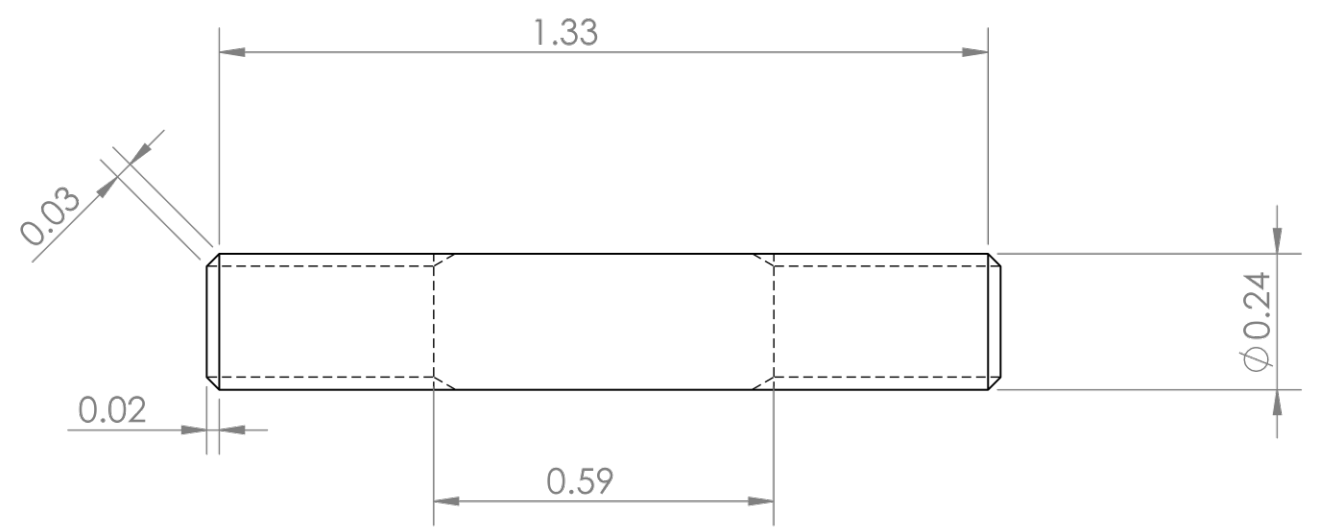
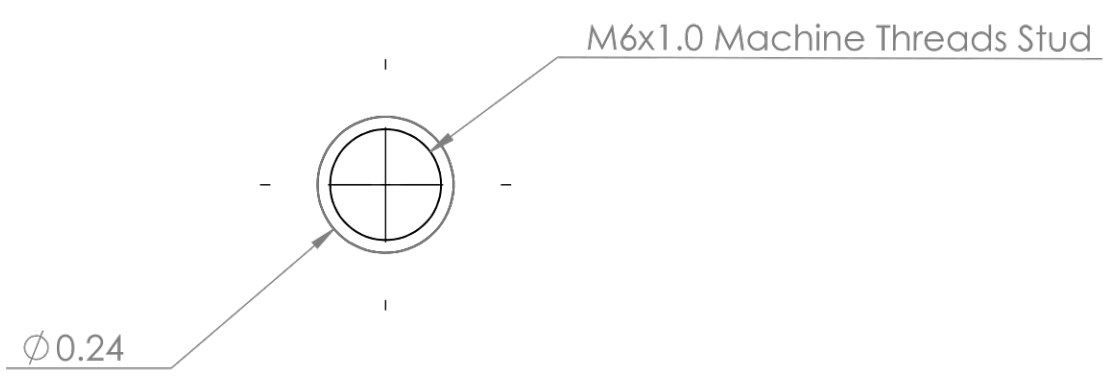
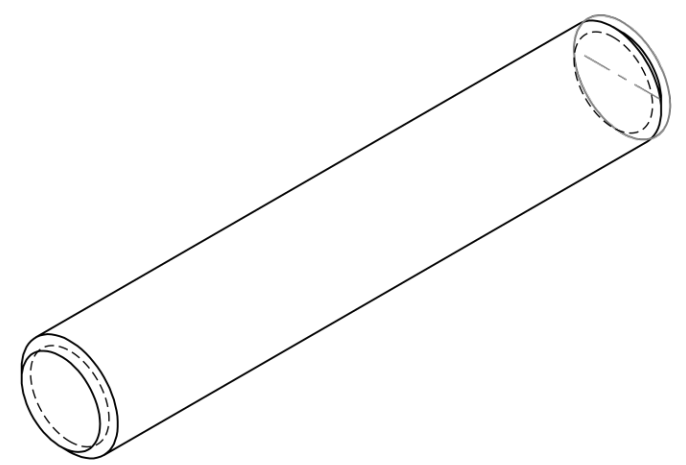
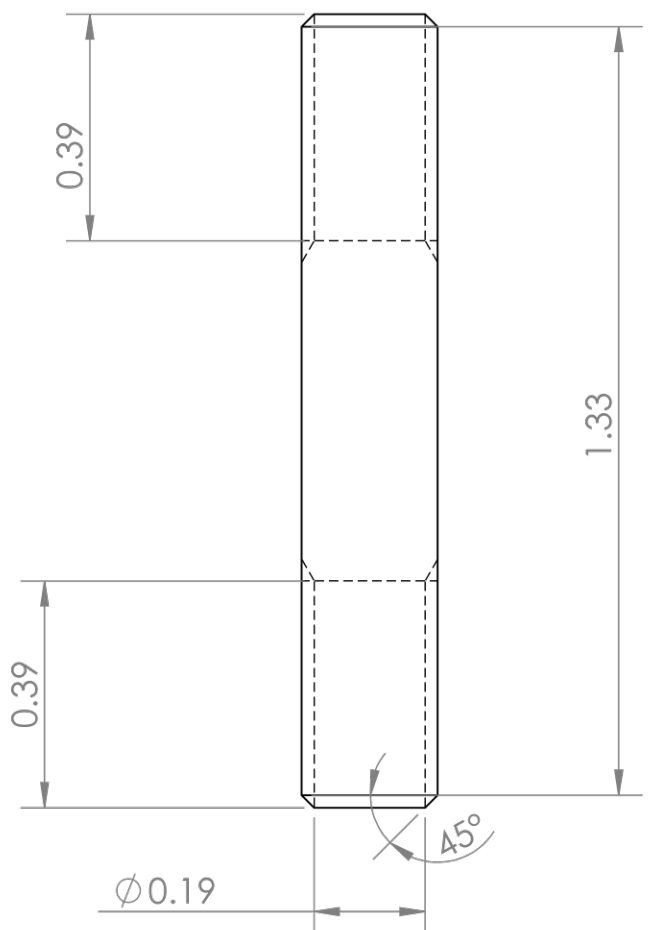
NEXT ASSY	USED ON	UNLESS OTHERWISE SPECIFIED:	NAME	DATE	TITLE: <b>Medium Spring Assembly: Shell</b>  SIZE DWG. NO. REY <b>B M.S.A.-01 1</b>  SCALE: 2:1 WEIGHT: SHEET 1 OF 1
	Medium Spring Assembly	DIMENSIONS ARE IN INCHES TOLERANCES: TWO PLACE DECIMAL ±0.01 THREE PLACE DECIMAL ±0.005	DRAWN	J.A.P. 04-20-25	
		INTERPRET GEOMETRIC TOLERANCING PER:	CHECKED		
		MATERIAL	ENG APPR.		
		FINISH	MFG APPR.		
APPLICATION	Medium Rotor Rig	DO NOT SCALE DRAWING	Q.A.		
			COMMENTS:	This part will be machined	

4

3

2

1



PROPRIETARY AND CONFIDENTIAL  
This drawing is the property of Oklahoma State University and the corresponding Design Team.

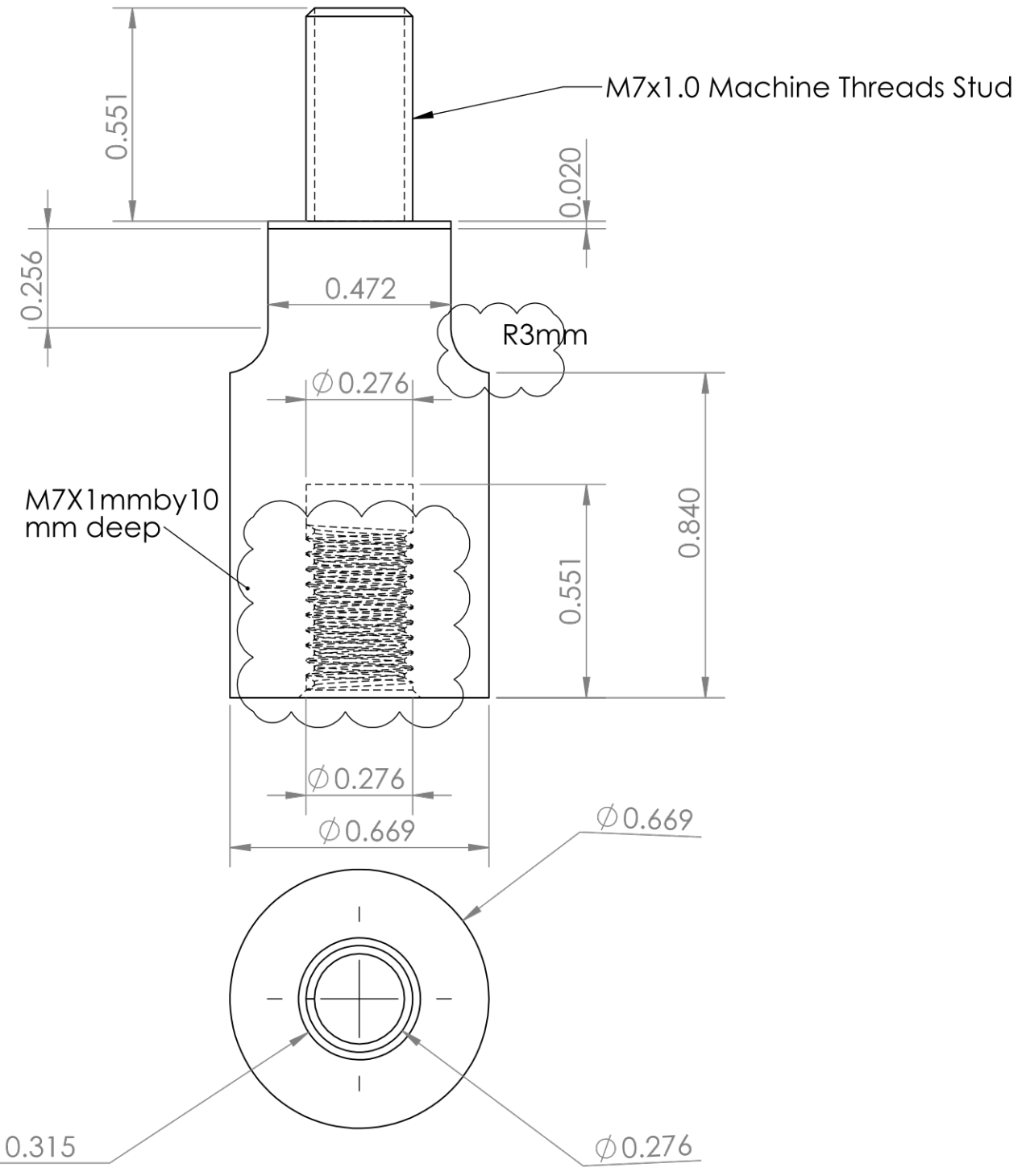
NEXT ASSY	USED ON	UNLESS OTHERWISE SPECIFIED:	NAME	DATE	TITLE:		
	Medium Spring Assembly	DIMENSIONS ARE IN INCHES TOLERANCES: TWO PLACE DECIMAL ±0.01 THREE PLACE DECIMAL ±0.005	DRAWN J.A.P.	04-20-25	Medium Spring Assembly: Slot Pin		
			CHECKED				
			ENG APPR.				
			MFG APPR.				
		INTERPRET GEOMETRIC TOLERANCING PER:	Q.A.		SIZE DWG. NO. REY B M.S.A.-03 1		
		MATERIAL Brass	COMMENTS: This part will be machined				
		FINISH N/A			SCALE: 2:1	WEIGHT:	SHEET 1 OF 1
APPLICATION	Medium Rotor Rig	DO NOT SCALE DRAWING					

4

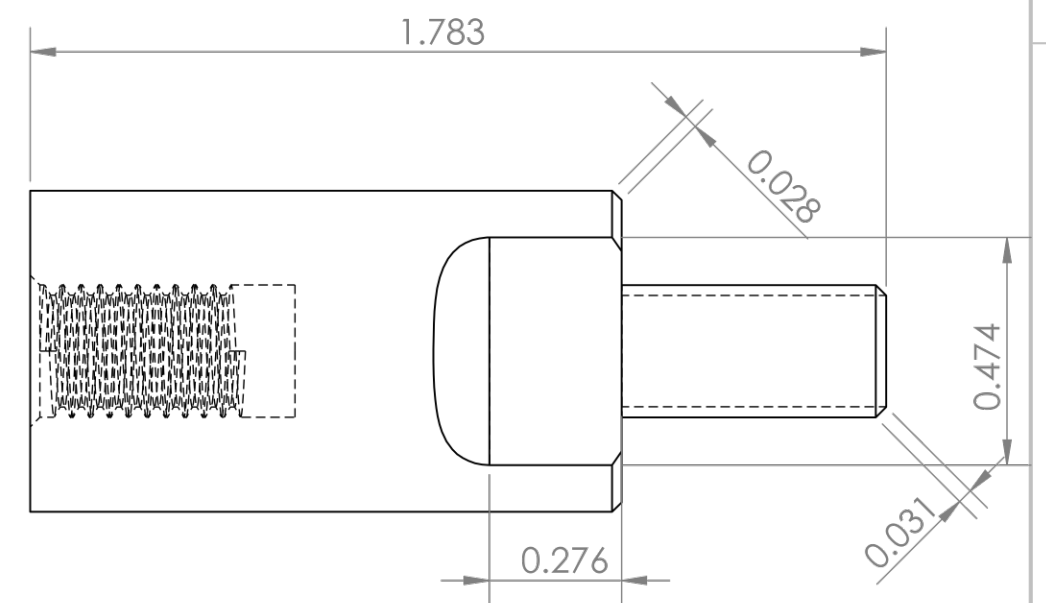
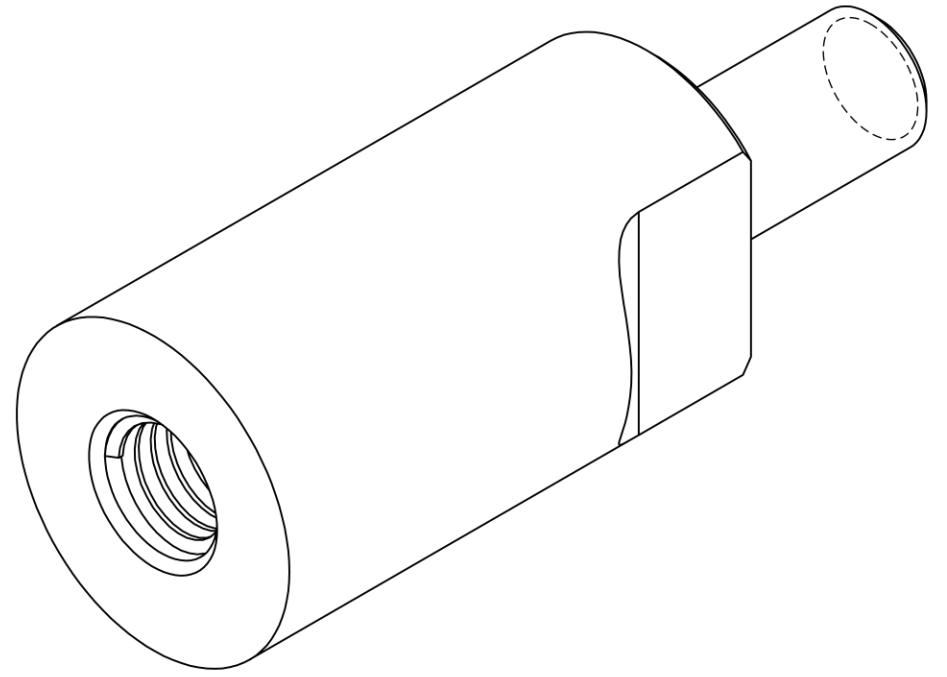
3

2

1



M7x1.0 Machine Threads Stud



PROPRIETARY AND CONFIDENTIAL  
This drawing is the property of Oklahoma State University and the corresponding design team.

NEXT ASSY	USED ON	UNLESS OTHERWISE SPECIFIED:	NAME	DATE	TITLE: <b>Medium Spring Assembly:          Extension</b>
	Medium Spring Assembly	DIMENSIONS ARE IN INCHES TOLERANCES: TWO PLACE DECIMAL ±0.01 THREE PLACE DECIMAL ±0.005	DRAWN	J.A.P. 04-14-2025	
		INTERPRET GEOMETRIC TOLERANCING PER:	CHECKED		
		MATERIAL	ENG APPR.		
		FINISH	MFG APPR.		SIZE DWG. NO. REV <b>B M.S.A.-04 1</b>
		DO NOT SCALE DRAWING	Q.A.		
APPLICATION	Medium Rotor Rig		COMMENTS: This part will be machined		SCALE: 2:1 WEIGHT: SHEET 1 OF 1

4

3

2

1